



UR35 Industrial Cellular Router

Reliable and Remote-Manageble
for Large Scale M2M Deployment

High Speed LTE Networking Platform



The Ursalink UR35 is a cost-effective industrial cellular router with embedded intelligent software features that are designed for multifarious M2M/IoT applications. Global WCDMA and 4G LTE carrier supported make this drop-in connectivity a great help for operators in maximizing uptime.

Integrating embedded cellular modem and dual SIM function, the UR35 provides 3G/4G cellular network with 150 Mbps download and 50 Mbps uplink, it also has 5 fast Ethernet ports and supports Wi-Fi that compliance with 802.11b/g/n standard. All these capabilities deliver users an uninterrupted internet access.

Easy deployment and comprehensive remote device management makes UR35 versatile in most of IoT/M2M applications.

► Benefits

- Dual SIM cards for backup between multiple carriers networking and global 2G/3G/LTE options make it easy to get connected
- Flexible modular design provides users with different connection modules like Ethernet, I/O, serial port, Wi-Fi, GPS for connecting diverse field assets
- Rugged enclosure, optimized for DIN rail or shelf mounting
- 3-year warranty included

► Security & Reliability

- Automated failover/failback between Ethernet and Cellular (dual SIM)
- Enable unit with security frameworks like IPsec/OpenVPN/GRE/L2TP/PPTP/DMVPN
- Embed hardware watchdog, able to automatically recover from various failure, ensure highest level of availability
- To establish a secured mechanism on centralized authentication and authorization of device access by supporting AAA (Radius, TACACS+, LDAP, local Authentication) and multiple levels of user authority

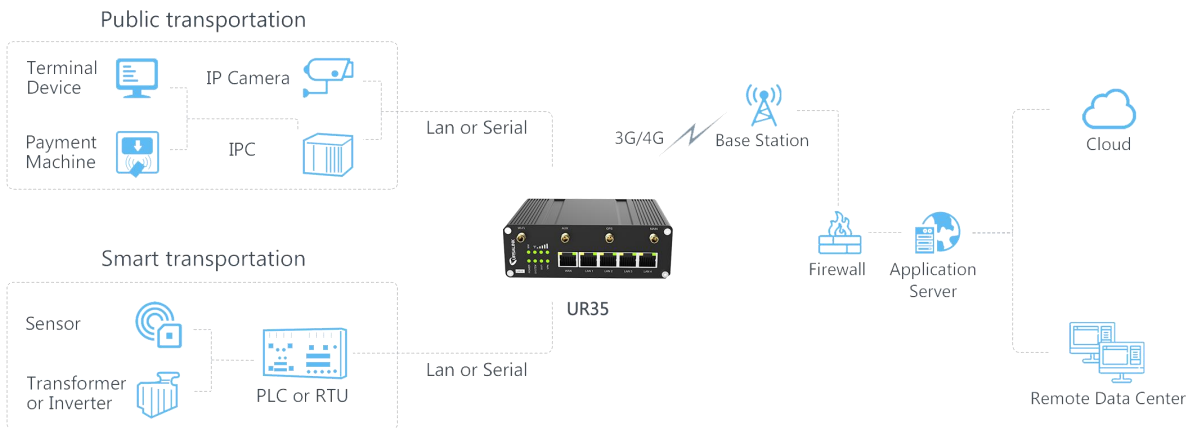
► Easy Maintenance

- Ursalink DeviceHub provides easy setup, mass configuration, and centralized management of remote devices
- The user-friendly web interface design and more than one option of upgrade help administrator to manage the device as easy as pie
- Web GUI and CLI enable the admin to achieve simple management and quick configuration among a large quantity of devices
- Efficiently manage the remote routers on the existing platform through the industrial standard SNMP

► Capabilities

- Link remote devices in an environment where communication technologies are constantly changing
- Support 802.11b/g/n, as AP or client mode, to establish versatile wireless network or be the backup WAN link for 3G/4G
- Support rich protocols like SNMP, Modbus bridging, RIP, OSPF
- Support wide operating temperature ranging from -40°C to +70°C/-40°F to +158°F

Application Example



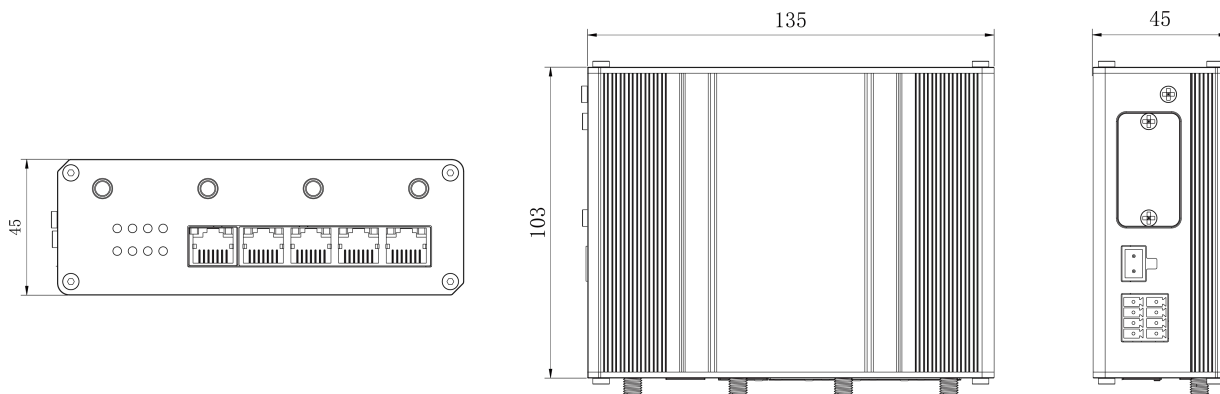
Specifications

| Hardware System | |
|----------------------------|--|
| CPU | 528 MHz, ARM Cortex A7 |
| Memory | 128 MB Flash, 128 MB DDR3 RAM |
| Storage | 1 × Micro SD |
| Ethernet Interface | |
| Ports | 5 × RJ-45 |
| Property | 1 × WAN +4 × LAN (PoE PSE Optional) |
| Physical Layer | 10/100 Base-T (IEEE 802.3) |
| Data Rate | 10/100 Mbps (Auto-Sensing) |
| Interface | Auto MDI/MDIX |
| Mode | Full or half duplex (Auto-Sensing) |
| Cellular Interfaces | |
| Connectors | 2 × 50 Ω SMA (Center PIN: SMA Female) |
| SIM Slots | 2 |
| Wi-Fi Interface (Optional) | |
| Connectors | 1 × 50 Ω SMA (Center PIN: SMA Male) |
| Standards | IEEE 802.11b/g/n |
| Tx Power | 802.11b: 16 dBm +/-1.5 dBm (11 Mbps) 802.11g: 14 dBm +/-1.5 dBm (54 Mbps) 802.11n: 13 dBm +/-1.5 dBm (65 Mbps, HT20/40 MCS7) |
| Modes | AP and Client mode |
| Security | WPA/WPA2 authentication, WEP/TKIP/AES encryption |

| GPS (Optional) | |
|-------------------------------------|---|
| Connectors | 1 × 50 Ω SMA (Center PIN: SMA Female) |
| Protocols | NMEA 0183 |
| Serial Interface | |
| Ports | 1 × RS232 + 1 × RS485 |
| Connector | Terminal block |
| Baud Rate | 300bps to 230400bps |
| IO | |
| Connector | Terminal block |
| Digital | 1 × DI + 1 × DO |
| Software | |
| Network Protocols | PPP, PPPoE, SNMP v1/v2c/v3, TCP, UDP, DHCP, RIPv1/v2, OSPF, DDNS, VRRP, HTTP, HTTPS, DNS, ARP, QoS, SNTP, Telnet, VLAN, SSH, etc. |
| VPN Tunnel | DMVPN/IPsec/OpenVPN/PPTP/L2TP/GRE |
| Access Authentication | CHAP/PAP/MS-CHAP/MS-CHAPV2 |
| Firewall | ACL/DMZ/Port Mapping/MAC Binding/SPI/URL Filter |
| Management | Web, CLI, SMS, On-demand dial up, DeviceHub |
| AAA | RADIUS, TACACS+, LDAP, Local Authentication |
| Multilevel Authority | Multiple Levels of User Authority |
| Reliability | VRRP, WAN Failover, Dual SIM Backup |
| Serial Port | Transparent (TCP Client/Server, UDP), Modbus Gateway (Modbus RTU to Modbus TCP) |
| Power Supply and Consumption | |
| Power Input Connector | 2-pin with 5.08 mm terminal block |
| Input Voltage | 9-48 VDC (48 V power input is needed for PoE output) |
| Power Consumption | Typical 3.9 W, Max 4.6 W (In Non-PoE mode) |
| Power Output | 4 × 802.3 af/at PoE output |
| Physical Characteristics | |
| Ingress Protection | IP30 |
| Housing & Weight | Metal, 485 g |
| Dimensions | 135 x 103 x 45 mm (5.31 x 4.06 x 1.77 in) |
| Mounting | Desktop, Wall or DIN Rail Mounting |
| Others | |
| Reset Button | 1 × RESET |
| LED Indicators | 1 × POWER, 1 × SYSTEM, 1 × SIM, 1 × Wi-Fi, 1 × VPN, 3 × Signal strength |
| Environmental | |
| Operating Temperature | -40°C to +70°C (-40°F to +158°F) Reduced Cellular Performance Above 60°C |

| | |
|---------------------|---|
| Storage Temperature | -40°C to +85°C (-40°F to +185°F) |
| Ethernet Isolation | 1.5 kV RMS |
| Relative Humidity | 0% to 95% (non-condensing) at 25°C/77°F |

▶ Product Images/Dimensions (mm)



▶ Ordering Information

| | |
|---------------|--|
| Model | UR35 |
| Air Interface | LTE(LTE-FDD/LTE-TDD)/CDMA(CDMA 1x/EVDO)/TD-SDMA/DC-HSPA+/HSPA+/HSUPA/HSDPA/WCDMA/EDGE/GPRS/GSM |
| 4G | -EC: B1/B3/B5/B7/B8/B20/B28A@FDD LTE -AF: B2/B4/B5/B12/B13/B14/B66/B71@FDD LTE -AU: B1/B2/B3/B4/B5/B7/B8/B28@FDD LTE, B40@TDD LTE -J: B1/B3/B8/B18/B19/B26 @FDD LTE, B41@TDD LTE -CE: B1/B3/B5/B8@FDD LTE, B38/B39/B40/B41@TDD LTE |
| 3G | -EC: B1/B8@WCDMA -AF: B2/B4/B5@WCDMA -AU: B1/B2/B5/B8 WCDMA -J: B1/B6/B8/B19@WCDMA -CE: B1/B8@WCDMA, B34/B39@TD-SCDMA, BC0@CDMA2000 1x/EVDO |
| 2G | -EC: B3/B8@GSM -AU: B2/B3/B5/B8@GSM -CE: 900/1800@GSM |

*: Any other frequency bands requirements please contact us.