

+ SPECTRE v3 LTE

THIRD GENERATION
MORE POWER, MORE FEATURES, MORE IDEAS

COMMUNICATIONS AND TRANSPORT •
CAMERA AND SECURITY SYSTEMS •
ENERGY AND HEAT INDUSTRIES •
ENVIRONMENTAL MEASUREMENTS •
GAS AND CRUDE OIL DISTRIBUTION •



- Extremely powerful CPU Cortex A8, 1GHz (2000 DMIPS)
- Memory: 256 MB flash memory, 512 MB RAM, 128kB M-RAM
- 3x independent Ethernet 100 Mbit/s (up to 5 Ethernet ports)
- Optional industrial built-in Wi-Fi module
- MicroSD card holder
- Extended input voltage range from 10 Vdc to 60 Vdc
- Extended operational temperature range from -40°C to +75°C
- Sleep mode for reducing electrical consumption

B+B SMARTWORX®

+ CONEL CELLULAR ROUTERS

ENABLING CONNECTED INTELLIGENCE

PRODUCT INFORMATION

Power, Consumption, Environmental, IP cover	
Power supply	10 – 60V
Consumption - Idle / Average / Peak / Sleep Mode	2,5 / 4 / 11 W / 10mW
Temperature range – Operating / Storage	-40 to +75 °C / -40 to +85 °C
Cold start	-35 °C / -40 °C +5 min
Humidity – Operating / Storage	0 to 95% / 0 to 95%
IP cover – Standard	IP30

Mechanical	
Casing	Plastic, Metal
Dimensions of metal casing	55 x 97 x 125mm
Weight - Metal / Plastic	170 g (plastic), 400 g (metal)

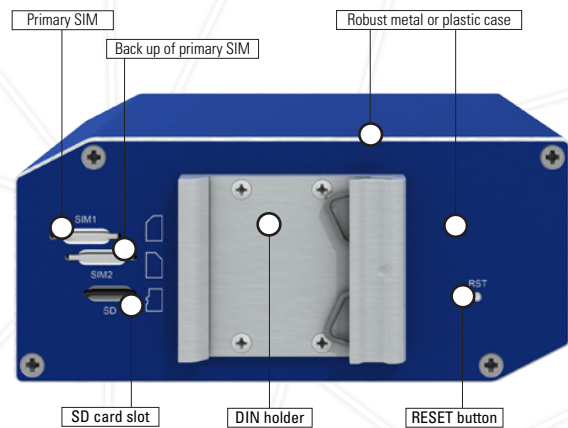
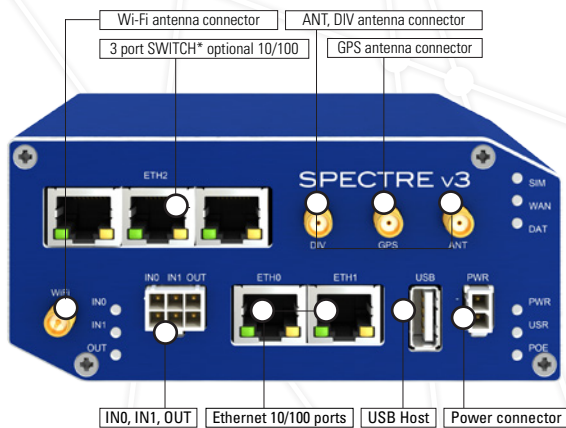
Ports, LED, Antennas	
Two independent Ethernets	Ethernet 10/100
Expansion port	3 port switch Ethernet 10/100
	RS232
	Combined RS232 + RS485
SIM	2 Mini SIMs (2FF)
USB	2.0 USB host
I/O	2 binary inputs, 1 binary output
LED	PWR, USR, POE, SIM, WAN, DAT, IN0, IN1, OUT, Ethernet
ANT + DIV antennas	SMA connectors
GPS antenna	SMA connector
Wi-Fi antenna - *optional	R-SMA connector

Technical Specifications of microSD card	
Supported technologies	SDHC, SDXC
Supported capacity	SDHC – up to 32GB SDXC – from 32 GB to 64 GB

Features	
Networking	DHCP, NAT/PAT, VRRP, DynDNS client, VLAN, QoS, DMVPN, PPPoE Bridge, Dial-in, NTP client-server, IGMP, BGP, OSPF, RIP, SMTP, SMTPS, SNMP v1/v2c/v3, Backup routes
Security	HTTPS, SSH, Firewall, VPN tunnels, SFTP
VPN tunnelling	IPSec, OpenVPN, L2TP, PPTP, GRE, EasyVPN
Configuration	Web server, SSH, Four configuration switchable profiles, Automatic configuration update from server, Automatic firmware update from server, Backup configuration, Restore configuration
Diagnostic	One CLICK report - current configuration / factory identification / system log / kernel log / reboot log / routing table
Statuses	Network Status, Mobile Status, DHCP Status, IPSec Status, Statistics for two previous months
Logs	System Log, Reboot Log, Kernel Log
Controlling and diagnostic	SMS, SNMP v1/v2c/v3, Statuses
Scripts	StartUp script, Up/Down script
Scripting languages	Bash, Python
Other	Robust firmware update

Mobile technology (by the module)	MAX download	MAX upload
GSM/GPRS/EDGE	236,8 Kbit/s	118,4 Kbit/s
UMTS/HSPA+ & GPRS/EDGE	21,1 Mbit/s	5,76 Mbit/s
LTE & UMTS/HSPA+ & GPRS/EDGE	100 Mbit/s	50 Mbit/s
Wi-Fi 802.11 b/g/n - *optional (AP/STA) 10 clients supported (-40 to +75 °C)	80 Mbit/s	80 Mbit/s

Technical Parameters of GPS	
GPS protocol	NMEA 0183 v3.0
Frequency	1575.42 MHz
Antenna	50 Ohms – active



International Sales

Westlink Commercial Park
Oranmore, Co. Galway
Ireland

Phone: +353 91 792444
Fax: +353 91 792445
Email: eSales@bb-smartworx.com
Web: www.bb-smartworx.com

Conel s.r.o.

Sokolská 71
562 04 Ústí nad Orlicí III.
Czech Republic

Phone: +420 465 521 020
Fax: +420 464 647 299
Email: conel@bb-smartworx.com
Web: www.conel.com

Distributor:

Conel Spectre v3 is compatible with:

R-SEENET

SMARTCLUSTER



ENABLING CONNECTED INTELLIGENCE